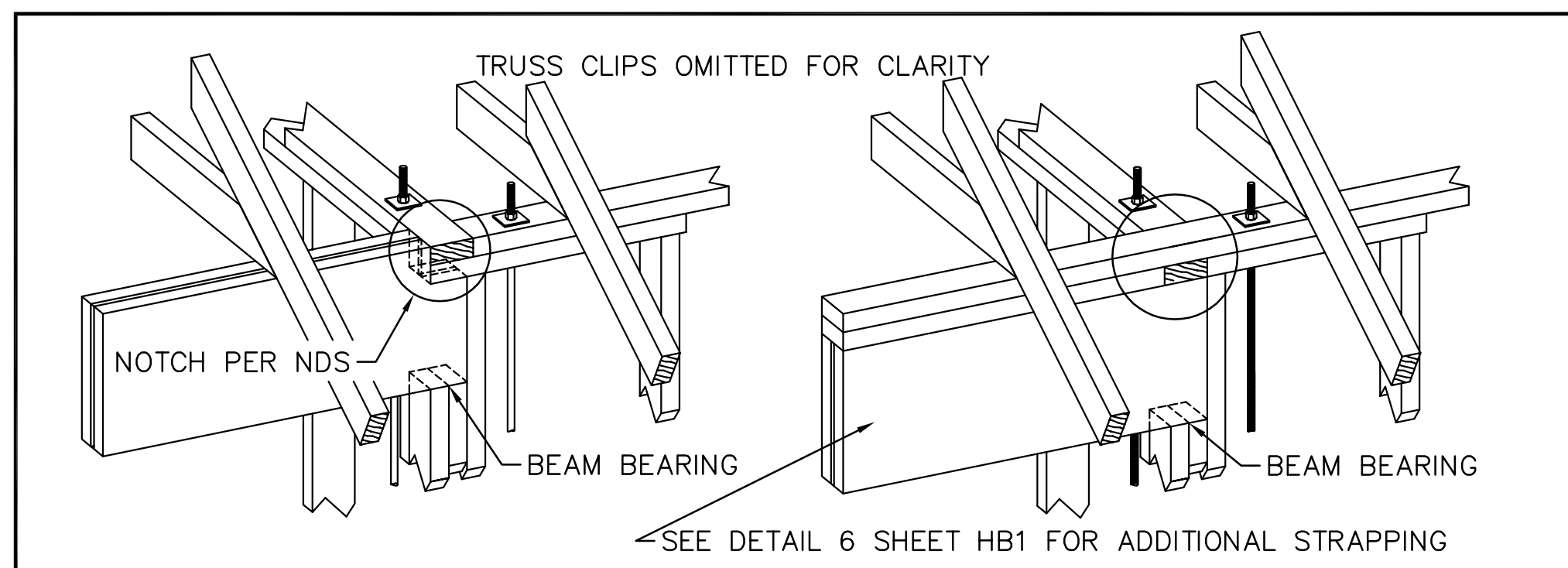
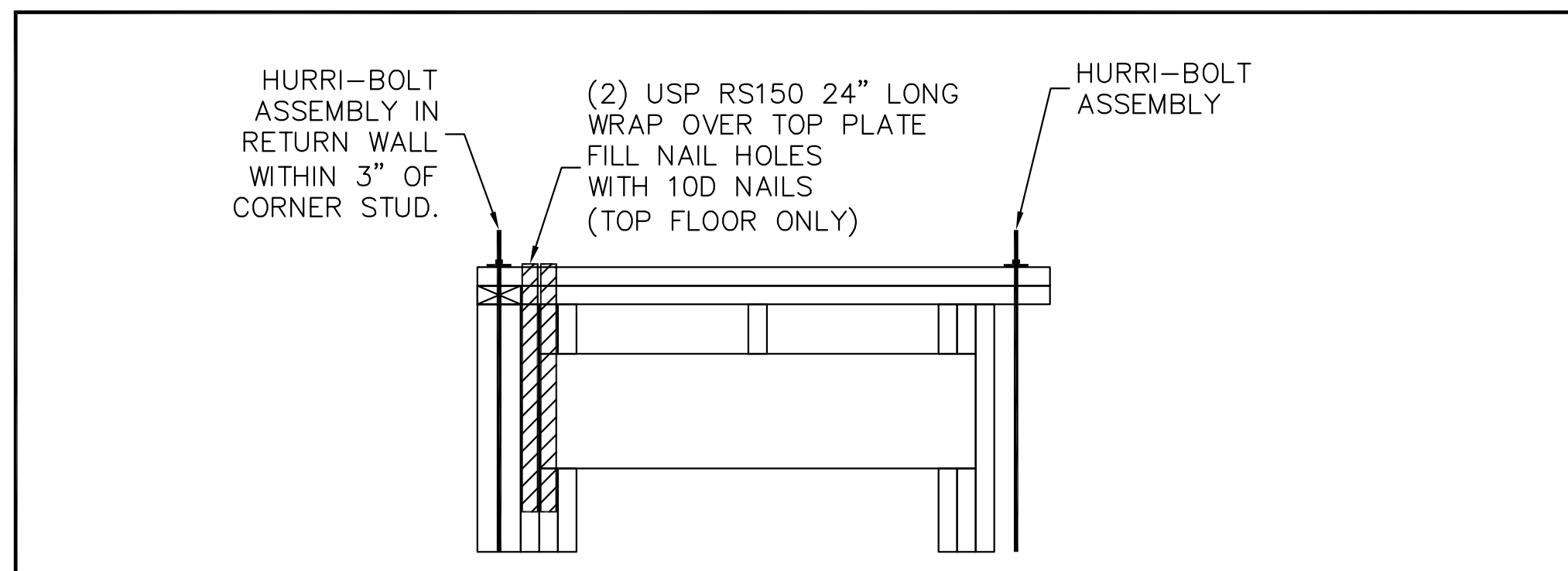


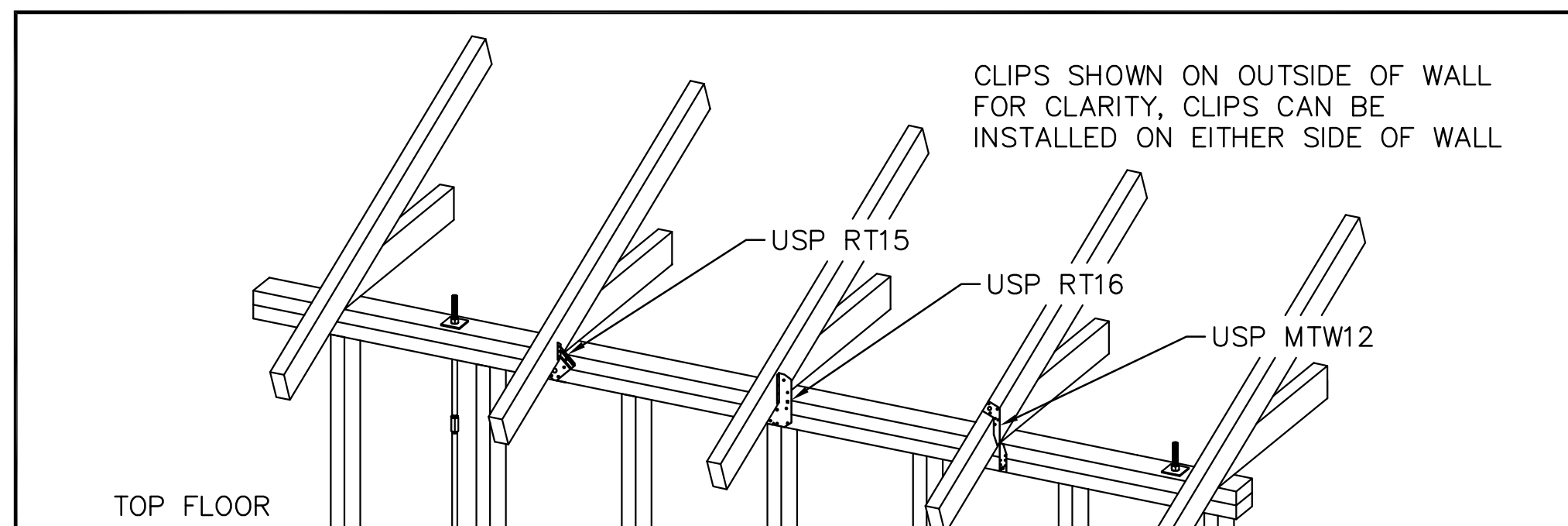
1  
HB2  
TYPICAL TOP PLATE PARTY WALL DETAIL  
SCALE: 1"=1'



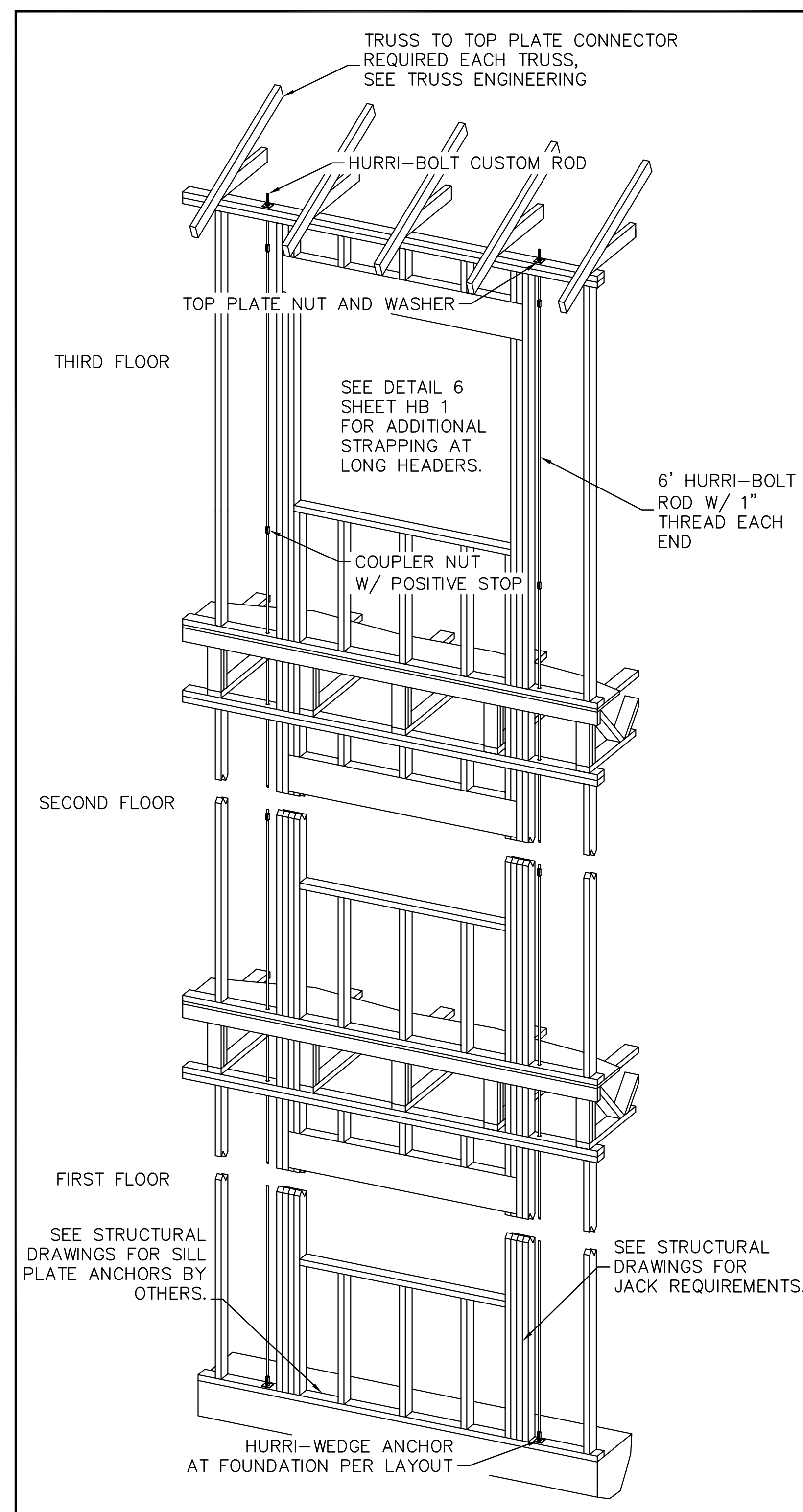
2  
HB2  
DROP BEAM CORNER DETAIL OPTION USING TOP PLATES IN LIEU OF BEAM STRAPS  
SCALE: 3/4" = 1'



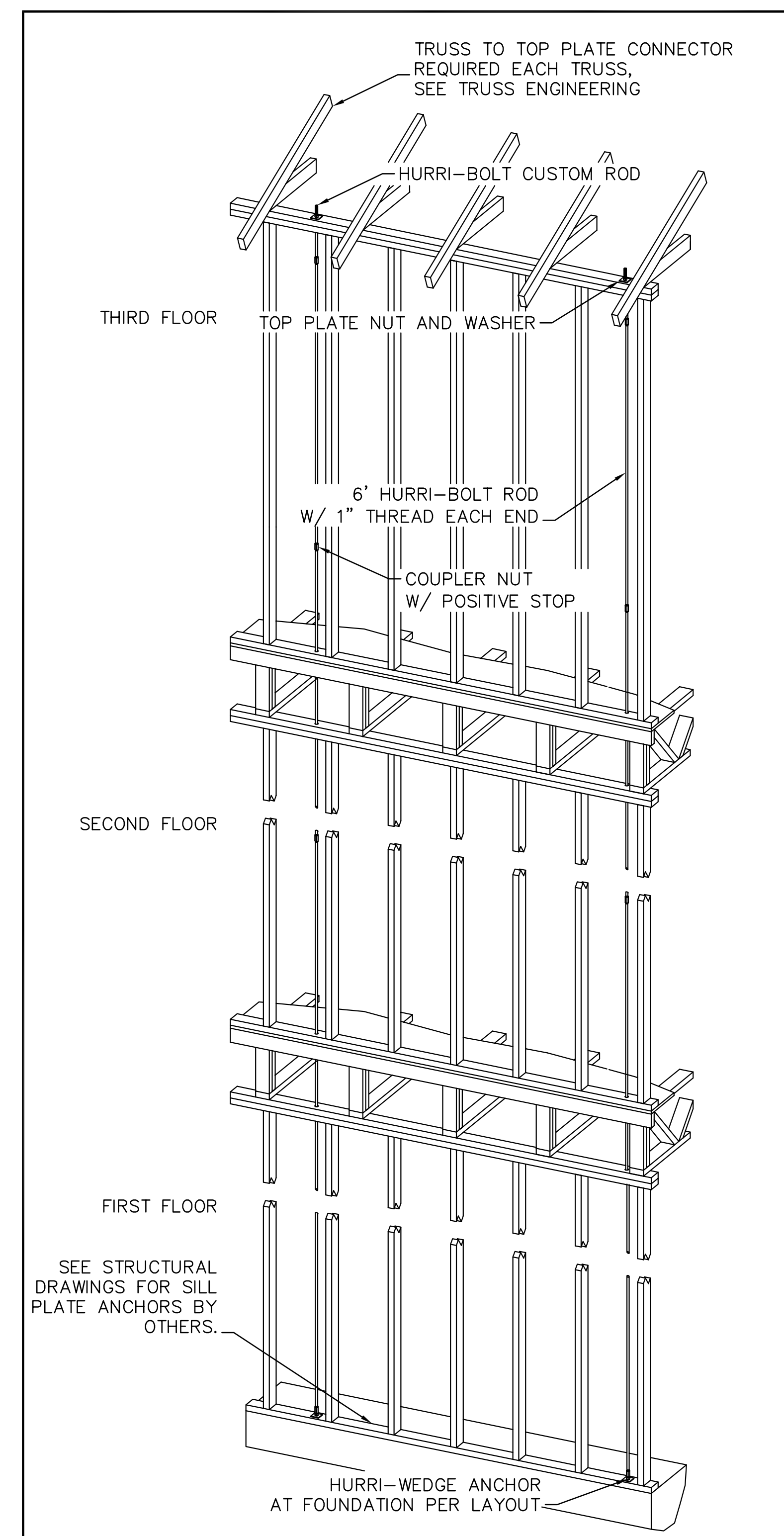
3  
HB2  
HEADER TO CORNER ADDITIONAL STRAPPING DETAIL  
SCALE: 1/2" = 1'



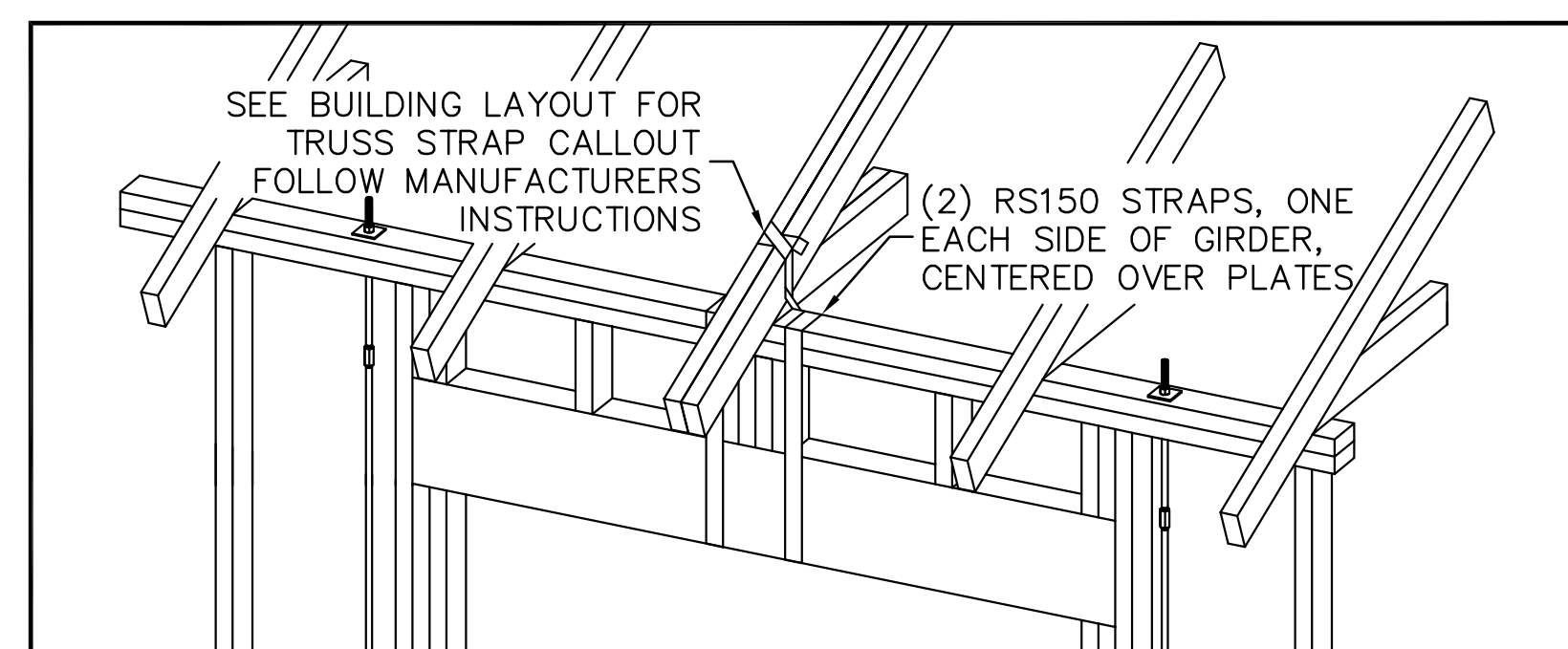
4  
HB2  
TOP PLATE TO TRUSS CONNECTIONS USING USP STRAPS  
SCALE: N/A



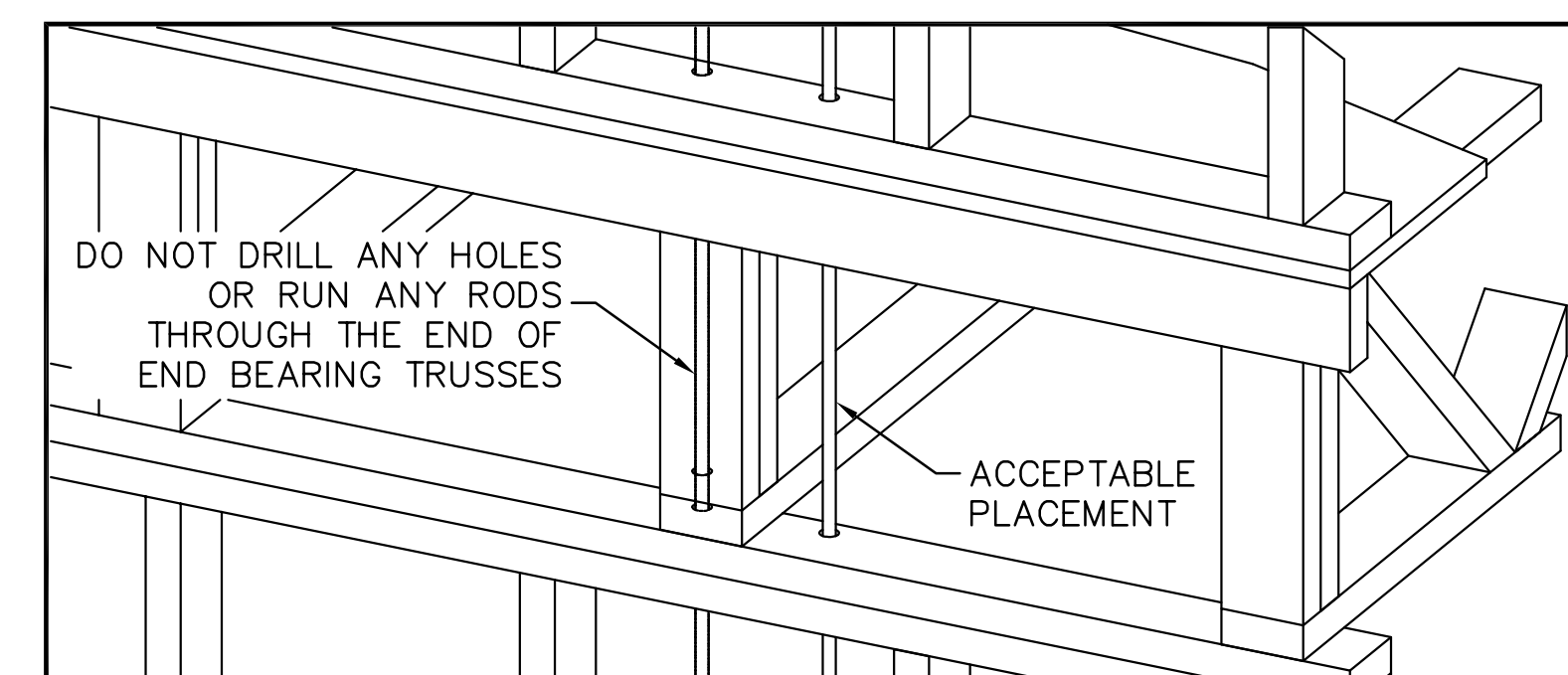
5  
HB2  
TOP PLATE TIE-DOWN ASSEMBLY WITH HEADER  
SCALE: 1/2" = 1'



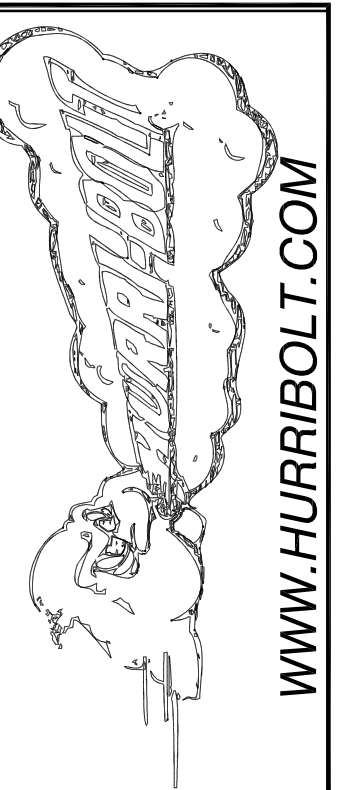
7  
HB2  
TOP PLATE TIE-DOWN ASSEMBLY TYPICAL EXTERIOR WALL SHOWN  
SCALE: 1/2" = 1'



6  
HB2  
GIRDER OVER HEADER TOP FLOOR DETAIL  
SCALE: 3/8" = 1'



8  
HB2  
PROPER HOLE DRILLING DETAIL TYPICAL WALL WITH END BEARING TRUSSES  
SCALE: 1-1/2" = 1'



WWW.HURRI-BOLT.COM

HURRI-BOLT DETAIL SHEET

BUILDER

PROJECT NAME  
LOCATION, FLORIDA

REVISIONS

NO.	DESCRIPTION

PROJ # 2008  
DATE 01/01/09  
DWG BY YOUR INITIALS  
FILE HB2.DWG

SHEET #

HB2